

0CI00-M24700EN

Contents

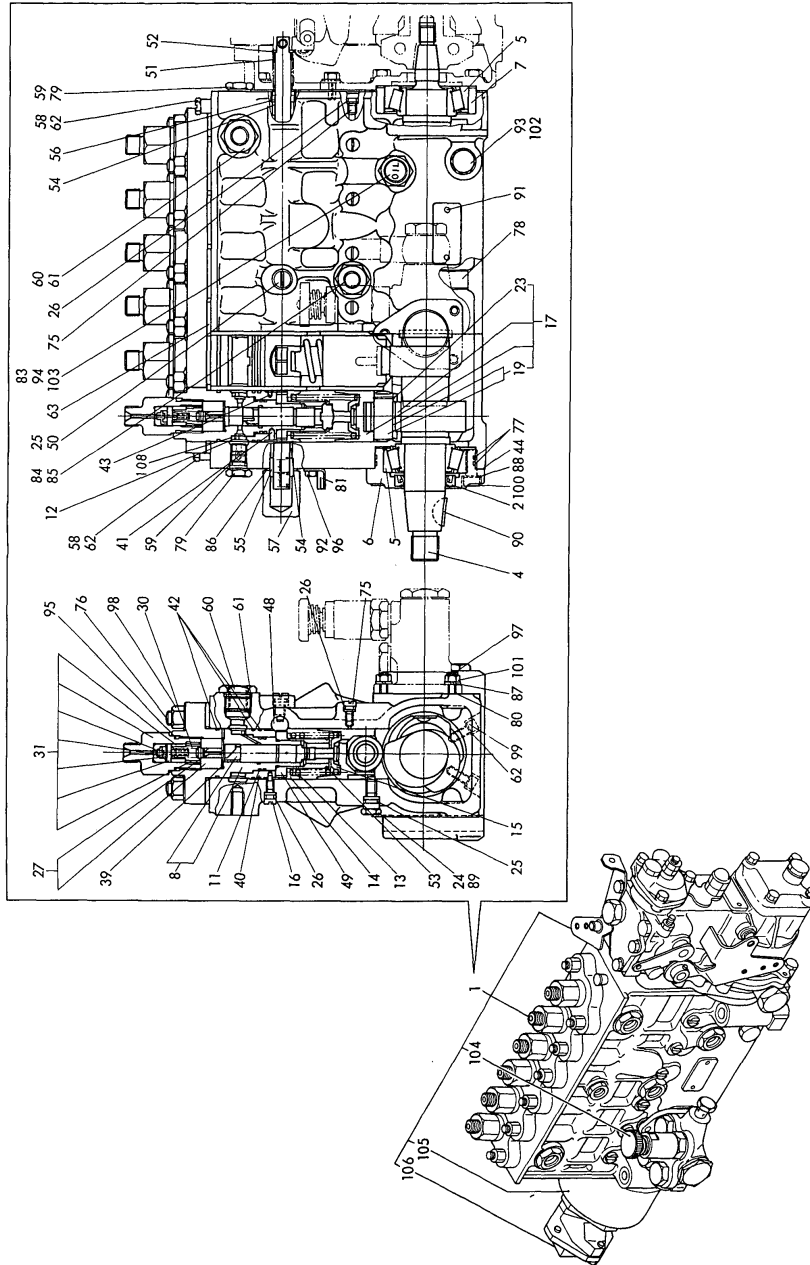
Fig. No. Fig. Name

727675-51300

1. FUEL INJECTION PUMP
2. GOVERNOR
3. GOVERNOR VALVE(EB TYPE)

Fig. No. Fig. Name

Fig.1. FUEL INJECTION PUMP



(A)=727675-51300

(B)=

(C)=

(D)=

(E)=

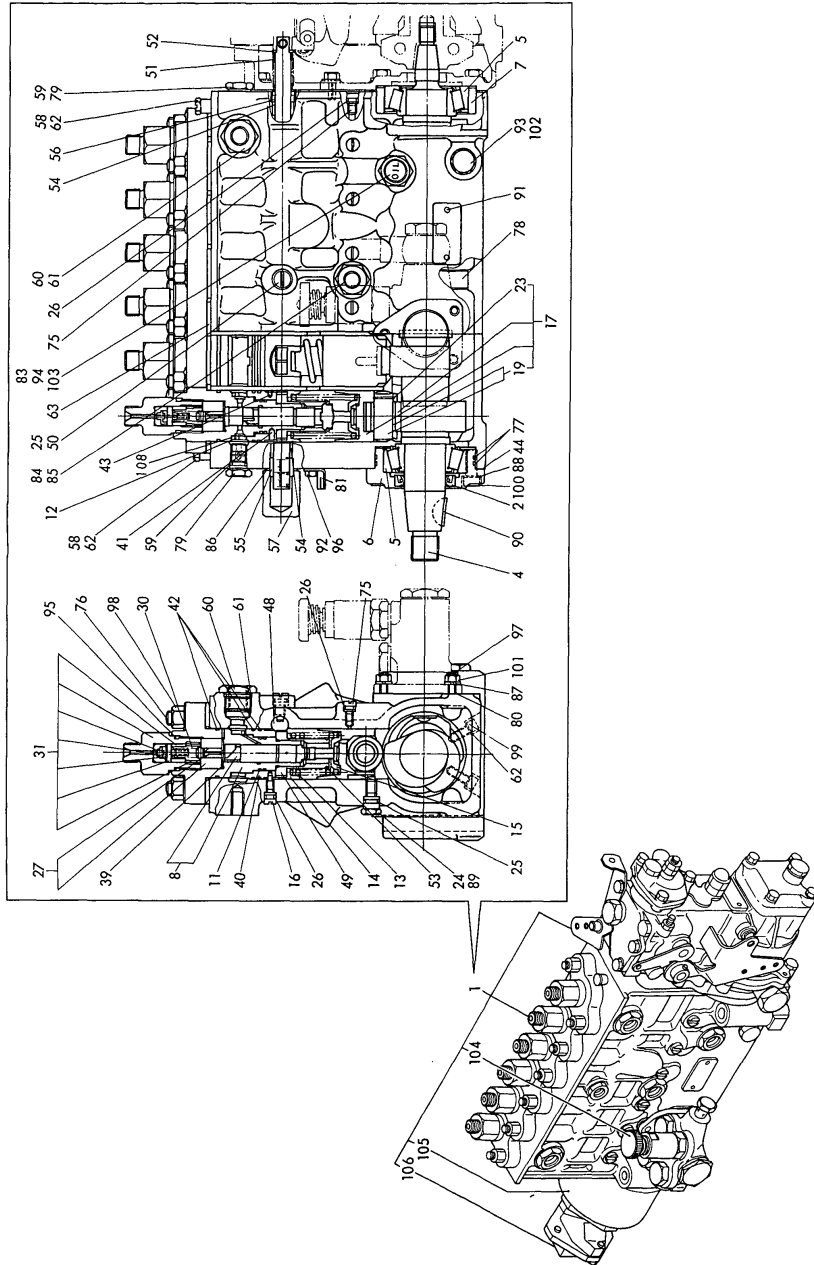
(F)=

No.	Lev.	Parts No.	Description	Qty						I	R
				(A)	(B)	(C)	(D)	(E)	(F)		
1	1	727675-51300	PUMP ASSY, INJECTION	1							
2	2	136600-42480	OIL SEAL	1							
4	2	127695-51030	CAMSHAFT	1							
5	2	144626-51050	BEARING	2							
6	2	148016-51060	SUPPORT, CAMSHAFT	1							
7	2	144626-51070	SUPPORT, CAMSHAFT B	1							
8	2	127695-51100	PLUNGER ASSY	6							
8-1	2	127695-51101	PLUNGER ASSY	6							N
(A=E/#50191)											
11	2	127695-51140	O-RING	12							
11-1	2	127695-51141	O-RING	12							N
(A=E/#50191)											
12	2	127695-51150	DEFLECTOR	6							
13	2	127695-51160	SPRING, PLUNGER	6							
14	2	144626-51171	RETAINER, SPRING A	6							
15	2	148688-51180	RETAINER, SPRING	6							
16	2	144626-51191	STOPPER	6							
17	2	148218-51200	TAPPET ASSY	6							
19	3	148218-51250	ROLLER ASSY, TAPPET	6							
23	3	148688-51250	CIRCLIP	6							
24	2	144626-51271	STOPPER	6							
25	2	144626-51281	O-RING, P9	1							
26	2	144626-51290	O-RING, P6	7							
27	2	127695-51301	VALVE ASSY, DELIVERY	6							
30	2	148218-51330	SPRING, VALVE	6							
31	2	127695-51341	HOLDER ASSY, DELIVERY	6							
37	2	148218-51390	GASKET, DELIVERY	6							
38	2	127695-51400	COLLAR	6							
39	2	127695-51410	PIN	6							
39-1	2	127692-51420	PIN	6							R
(A=E/#50219)											
40	2	127695-51420	O-RING	18							
41	2	144626-51430	PIN	6							
42	2	144626-51451	SHIM SET, CAMSHAFT	1							
48	2	127695-51500	RACK, CONTROL	1							
49	2	148688-51510	PINION	6							
50	2	144626-51521	SCREW	1							
51	2	135410-51530	SPRING	1							
52	2	135410-51540	WASHER	1							
53	2	144626-51540	CIRCLIP	6							
54	2	144626-51580	BUSH, RACK	2							
55	2	144626-51590	SCREW	1							
56	2	144626-51600	SCREW	1							
57	2	144626-51641	NUT, CAP	1							
58	2	138613-51660	BOLT, L=21	2							
59	2	144626-51660	O-RING	2							
60	2	144626-51670	PLUG	2							
61	2	144626-51680	O-RING	2							
62	2	144626-51700	WASHER, SEAL	4							
62-1	2	22190-060002	WASHER, SEAL 6	4							N
(A=E/#50174)											

Remarks

(A)=6CX-E.TE.

Fig.1. FUEL INJECTION PUMP



(A)=727675-51300

(B)=

(C)=

(D)=

(E)=

(F)=

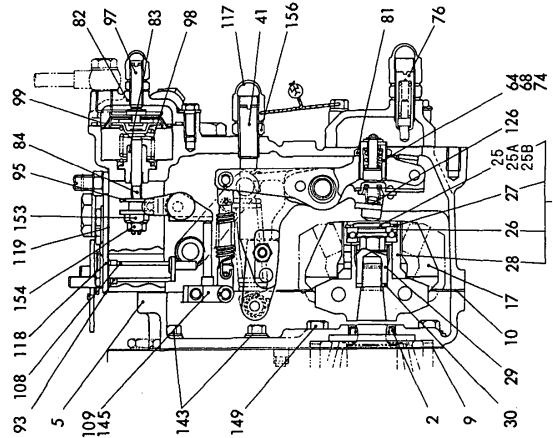
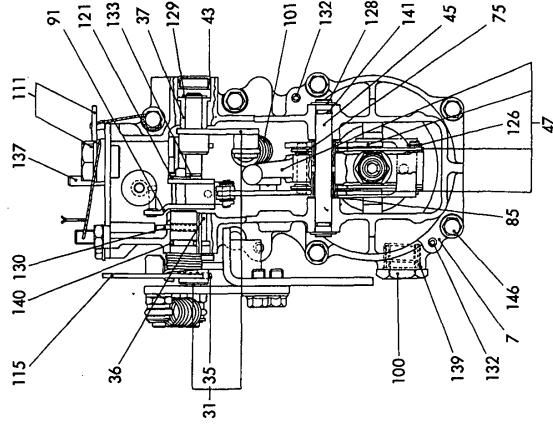
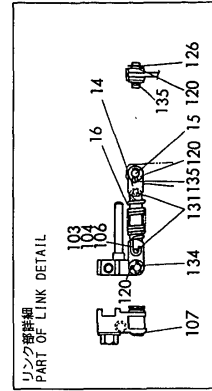
No.	Lev.	Parts No.	Description	Q'ty						I	R
				(A)	(B)	(C)	(D)	(E)	(F)		
62-2A	2	22190-060002	WASHER, SEAL 6	2							K
		(A=E/XXX)									
62-2B	2	144626-51700	WASHER, SEAL	2							W
		(A=E/XXX)									
63	2	148688-51700	SHIM SET	12							
75	2	144626-51730	PLUG	7							
76	2	144626-51800	BOLT	12							
77	2	144626-51840	O-RING, S71	2							
78	2	148688-51850	BEARING	1							
79	2	126617-51860	PROTECTOR, SPILL	2							
80	2	124410-51861	GASKET	1							
81	2	145647-51880	POINTER	1							
83	2	144626-51930	LABEL	1							
84	2	144626-51940	PLUG	1							
85	2	144626-51950	O-RING, 1016	1							
86	2	144626-51960	WASHER, SEAL M18	1							
86-1	2	22190-180002	WASHER, SEAL 18	1							N
		(A=E/#50174)									
87	2	22217-060000	WASHER, SPRING 6	1							
88	2	22287-080000	WASHER, 8	4							
89	2	22451-060000	WIRE, 0.6	1							
90	2	22522-060220	KEY, WOODRUFF 6X22	1							
91	2	22621-230030	RIVET, 2.3X 3	2							
92	2	23414-060000	GASKET, 6X1.0	2							
93	2	23887-120002	PLUG, 12	1							
94	2	23887-160002	PLUG, 16	1							
95	2	24316-000210	O-RING, 4DP21.0	6							
96	2	26106-060122	BOLT, M6X 12 PLATED	2							
97	2	26226-060122	STUD, M6X 12	3							
97-1	2	26226-060162	STUD, M6X 16	3							N
		(A=E/XXX)									
98	2	26376-100002	NUT, M10	12							
99	2	26450-060162	BOLT, M6X 16	2							
99-1	2	148688-51840	BOLT	2							N
		(A=E/#50128)									
100	2	26450-080202	BOLT, M8X 20	4							
101	2	26716-060002	NUT, M6	3							
102	2	43400-500450	SEAL WASHER 12S	1							
102-1	2	22190-120002	WASHER, SEAL 12	1							N
		(A=E/#50174)									
103	2	43400-500500	SEAL WASHER 16	1							
103-1	2	22190-160002	WASHER, SEAL 16	1							N
		(A=E/#50174)									
104	2	748688-52700	PUMP ASSY, FUEL FEED	1							
105	2	727695-54800	TIMER ASSY	1							
106	2	127695-54990	JOINT ASSY	1							
108	2	127695-51800	SHIM SET, ADJUSTING	6							W
		(A=E/#50219)									

Remarks

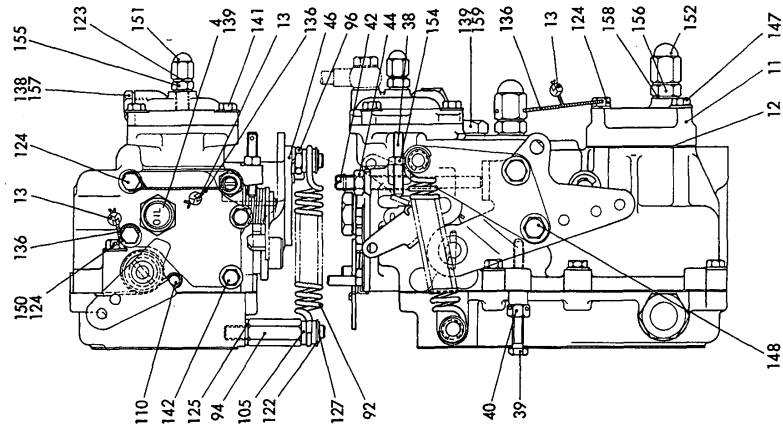
(A)=6CX-E/TE.

N:Old $\begin{matrix} \leftarrow \text{Yes} \\ \text{No} \end{matrix}$ New, Q:Old $\begin{matrix} \leftarrow \text{No} \\ \text{Yes} \end{matrix}$ New, R:Old $\begin{matrix} \leftarrow \text{Yes} \\ \text{Yes} \end{matrix}$ New, S:Old $\begin{matrix} \leftarrow \text{No} \\ \text{No} \end{matrix}$ New, W:Add, Z:Discontinued, F:Interchangeable by set, K:Q'ty Change

Fig.2. GOVERNOR

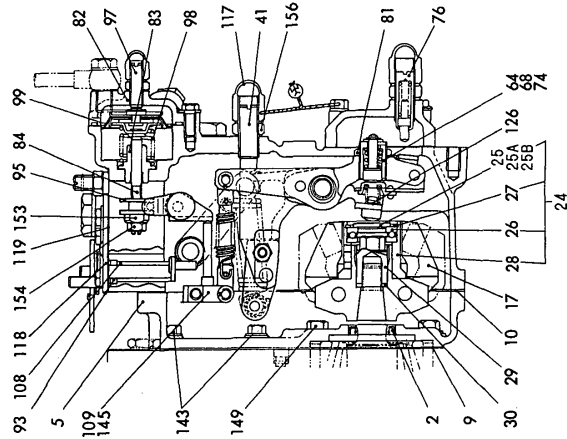
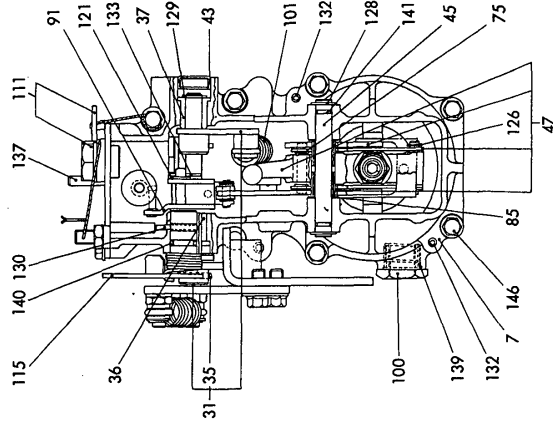
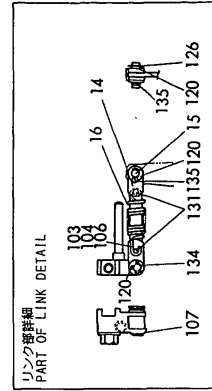


※ 図出しNo. 1は、図出しNo. 2から159を含みます。
111c. 2 ~ 159

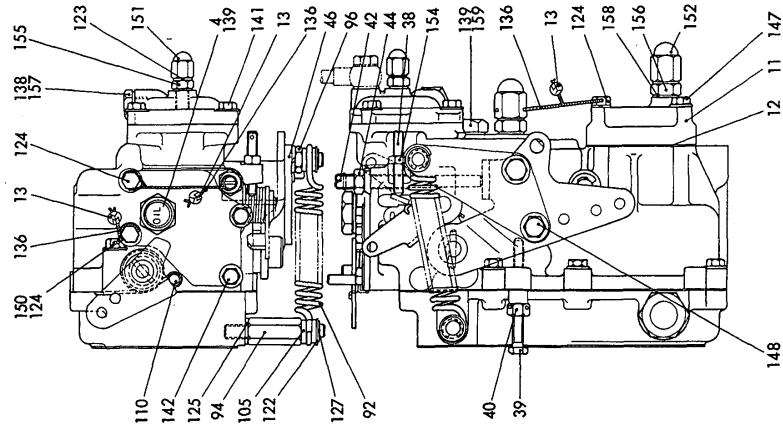


No.	Lev.	Parts No.	Description	Q'ty						I	R
				(A)	(B)	(C)	(D)	(E)	(F)		
2	2	122710-51080	SEAL, AC0735-E00X9	1							
3	2	122710-51090	KEY	1							
4	2	144626-51930	LABEL	1							
5	2	127695-61010	CASE, GOVERNOR	1							
7	2	127695-61021	HOUSING, GOVERNOR	1							
9	2	127695-61040	GASKET	1							
10	2	119000-61051	GASKET	1							
11	2	119187-61071	COVER, GOVERNOR CASE	1							
12	2	127695-61071	GASKET	1							
13	2	135210-61090	LEAD	1							
14	2	119000-61120	LINK	1							
15	2	119000-61170	PIN, LINK	1							
16	2	127695-61190	SPRING	1							
17	2	127695-61200	WEIGHT ASSY, GOVERNOR	1							
24	2	128300-61300	SLEEVE ASSY	1							
24-1	2	127695-61300	SLEEVE ASSY	1							N
(A=E/#50128)											
25	3	121850-61310	SHIFTER	1							
25A	3	127695-61330	SHIFTER, T=4.0	1							W
(A=E/#50128)											
25B	3	127695-61340	SHIFTER, T=4.5	1							W
(A=E/#50128)											
26	3	121850-61320	BEARING, THRUST	1							
27	3	121850-61350	CIRCLIP	1							
28	3	128300-61350	SLEEVE	1							
29	2	121850-61380	NUT	1							
30	2	121850-61390	SPRING	1							
31	2	127695-61400	LEVER ASSY, CONTROL	1							
35	3	22322-030220	PIN, TAPER 3X22	2							
36	2	120323-61430	BUSH	1							
37	2	127695-61430	BUSH	1							
38	2	129155-61450	BOLT, LIMITER	1							
39	2	171353-61460	BOLT, IDLE	1							
40	2	119000-61470	NUT, M6	1							
41	2	120323-61470	BOLT, CONTROL	1							
42	2	127695-61470	BOLT, LIMITER	1							
43	2	129795-61470	PLUG, 20	1							
44	2	127695-61480	NUT	1							
45	2	119000-61490	SHAFT	1							
46	2	127695-61490	SUPPORT	1							
47	2	127495-61500	LEVER ASSY, GOVERNOR	1							
63	2	120320-61540	SEAL, SC102004	1							
64	2	127495-61550	ANGLEICH ASSY	1							
68	3	127495-61700	SHIM SET	1							
74	3	127495-61710	SHIM, T=1.0	1							
75	3	22272-000040	RING, E- 4	1							
76	2	127695-61550	IDLE ASSY	1							
81	2	124616-61580	NUT, LOCK	1							
82	2	129595-61600	CASE	1							
83	2	129595-61610	BUSH	1							
84	2	129595-61620	ROD, SLIDER	1							

Fig.2. GOVERNOR



※出出しNo. 1は、出出しNo. 2から159を含みます。
11inc. 2 ~ 159



No.	Lev.	Parts No.	Description	Q'ty						I	R
				(A)	(B)	(C)	(D)	(E)	(F)		
85	2	119000-61630	SHIM SET	1							
91	2	127695-61631	LEVER, SETTING	1							
92	2	119173-61650	SPRING	1							
93	2	148616-61650	SEAL, VC081404	1							
94	2	121850-61660	BOLT	1							
95	2	127495-61660	RING	1							
96	2	121850-61670	BOLT	1							
97	2	129595-61670	BOLT, ADJUSTER	1							
98	2	127495-61680	SPRING, DIAPHRAGM	1							
98-1	2	127675-61680	SPRING	1							N
(A=E/#50256)											
99	2	129595-61680	DIAPHRAGM	1							
100	2	144626-61690	PLUG	1							
101	2	127695-61700	SPRING, GOVERNOR	1							
102	2	144626-61700	O-RING, 2019	1							
103	2	127695-61770	LINK	1							
103-1	2	127495-61770	LINK	1							N
(A=E/#50128)											
104	2	127495-61780	LINK	1							
105	2	144626-61781	PIECE	2							
106	2	127495-61790	LINK	1							
107	2	127695-61790	PIN, LINK	1							
108	2	127695-61840	BUSH	1							
109	2	127495-61850	LINK	1							
110	2	127695-61860	SPRING	1							
111	2	127695-61870	LEVER ASSY, STOP	1							
115	2	127695-61901	LEVER	1							
116	2	127695-61910	SPRING, RETURN	1							
117	2	129100-61930	NUT, CAP	1							
118	2	127695-61951	COVER, GOVERNOR CASE	1							
119	2	127695-61961	GASKET	1							
120	2	22117-050000	WASHER, 5	3							
121	2	22117-060000	WASHER, 6	2							
122	2	22117-080000	WASHER, 8	2							
123	2	22190-080000	WASHER, SEAL 8	2							
124	2	22217-060000	WASHER, SPRING 6	4							
125	2	22217-080000	WASHER, SPRING 8	2							
126	2	22272-000040	RING, E- 4	1							
127	2	22272-000060	RING, E- 6	2							
128	2	22272-000080	RING, E- 8	2							
129	2	22272-000100	RING, E-10	1							
130	2	22312-030250	PIN, PARALLEL M3X25	1							
131	2	22351-030016	PIN, SPRING 3.0X16	2							
132	2	22351-050010	PIN, SPRING 5.0X10	2							
133	2	22372-060000	PIN, SNAP 6	1							
134	2	22411-160120	COTTER PIN 1.6X12	1							
135	2	22417-120120	PIN, COTTER 1.2X12	1							
136	2	22451-100000	WIRE, 1.0	1							
136-1	2	22453-060000	WIRE, 0.6	1							N
(A=E/XXXX)											
137	2	22492-060362	PIN, B6X36	1							

Fig.2. GOVERNOR

(A)=6CX-ETE

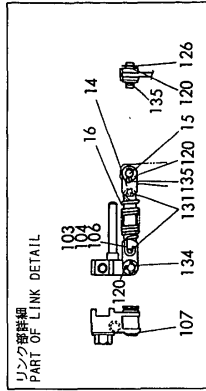
(B)=

(C)=

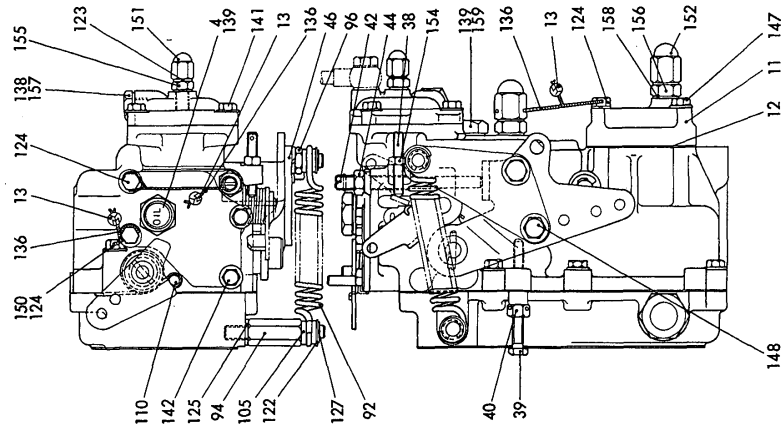
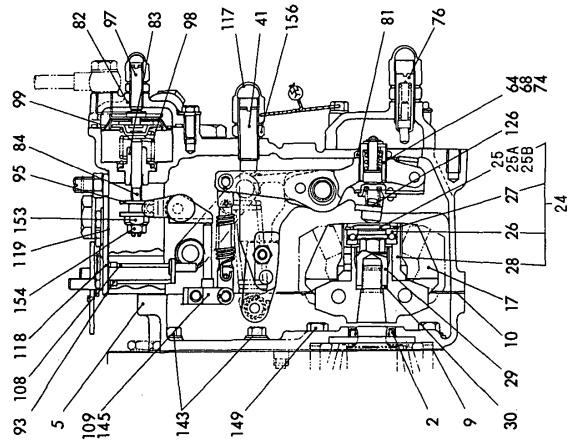
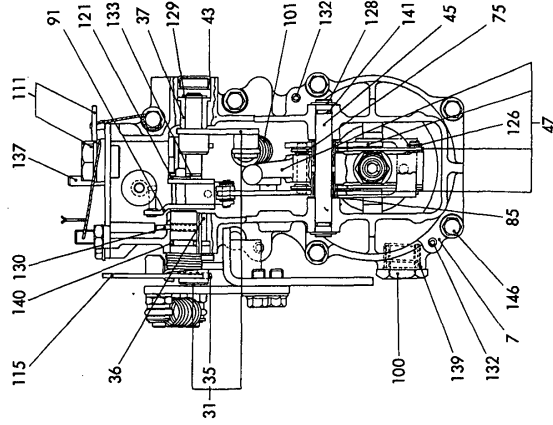
(D)=

(E)=

(F)=

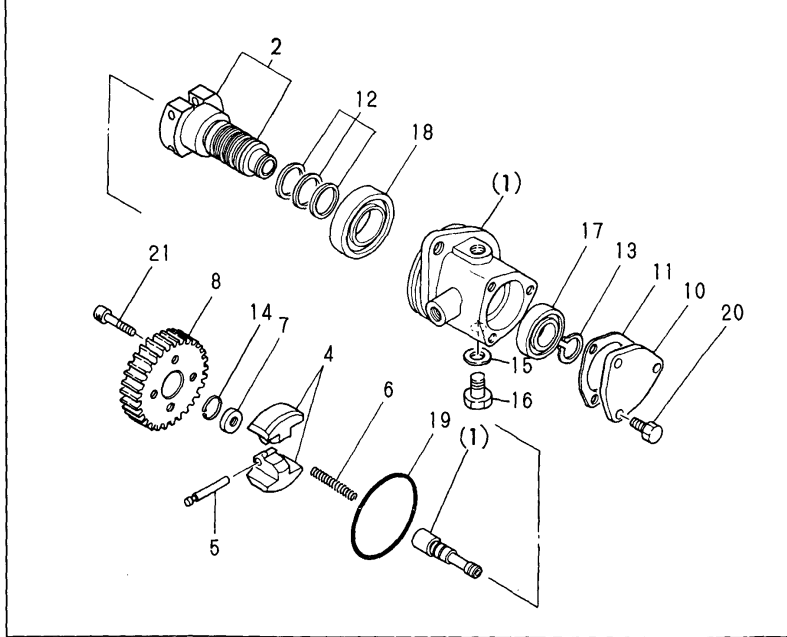
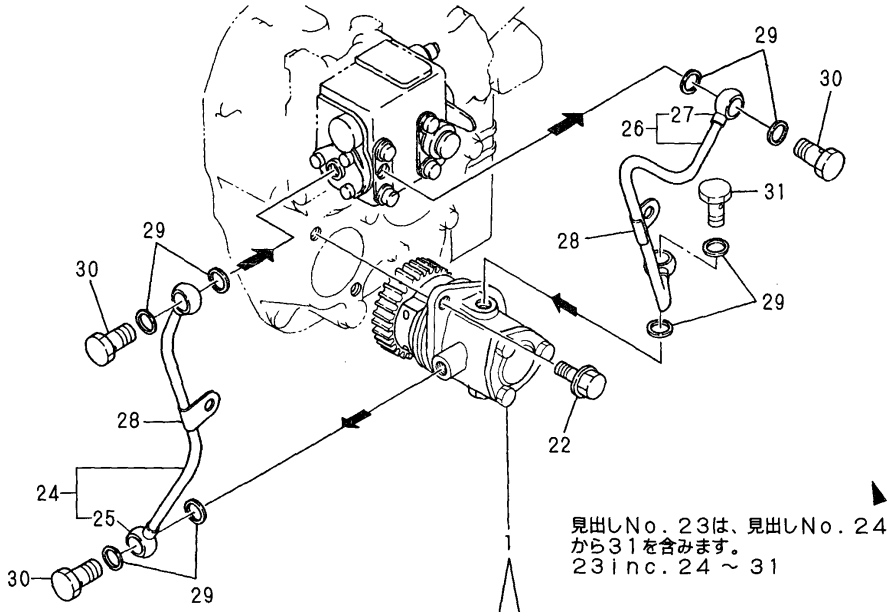


※ 異出しNo. 1は、異出しNo. 2から159を含みます。
111c. 2 ~ 159



No.	Lev.	Parts No.	Description	Q'ty						I	R
				(A)	(B)	(C)	(D)	(E)	(F)		
138	2	23887-100002	PLUG, 10	1							
139	2	23887-160002	PLUG, 16	2							
140	2	24311-000120	O-RING, 1AP12.0	1							
141	2	24341-000080	O-RING, 1AS8.0	2							
142	2	26106-060122	BOLT, M6X 12 PLATED	2							
143	2	26106-060162	BOLT, M6X 16 PLATED	4							
144	2	26106-060182	BOLT, M6X 18 PLATED	3							
145	2	26106-060202	BOLT, M6X 20 PLATED	1							
146	2	26106-060252	BOLT, M6X 25 PLATED	6							
147	2	26106-060302	BOLT, M6X 30 PLATED	3							
148	2	26106-080142	BOLT, M8X 14 PLATED	2							
149	2	26106-080202	BOLT, M8X 20 PLATED	4							
150	2	26116-060356	BOLT, M6X 35 PLATED	1							
151	2	26667-080002	NUT, CAP M8	1							
152	2	26687-120002	NUT, CAP M12	1							
153	2	26716-060002	NUT, M6	1							
154	2	26756-060002	NUT, LOCK M6	1							
155	2	26756-080002	NUT, LOCK M8	1							
156	2	26777-120002	NUT, LOCK M12	1							
157	2	43400-500440	SEAL WASHER 10	1							
157-1	2	22190-100002	WASHER, SEAL 10	1							N
(A=#50174)											
158	2	43400-500450	SEAL WASHER 12S	2							
158-1	2	22190-120002	WASHER, SEAL 12	2							N
(A=#50174)											
159	2	43400-500500	SEAL WASHER 16	2							
159-1	2	22190-160002	WASHER, SEAL 16	2							N
(A=#50174)											

Fig.3. GOVERNOR VALVE(EB TYPE)



(A)=YX-70S-1
(B)=
(C)=

(D)=
(E)=
(F)=

No.	Lev.	Parts No.	Description	Q'ty						I	R
				(A)	(B)	(C)	(D)	(E)	(F)		
1	1	177561-04350	VALVE ASSY, GOVERNOR	1							
2	2	177061-04302	SHAFT	1							
4	2	177061-04340	WEIGHT, B=20M/M	2							
5	2	177061-04361	PIN	2							
6	2	177061-04370	SPRING	1							
7	2	177061-04380	RETAINER, SPRING	1							
8	2	177061-04391	GEAR, GOVERNOR Z=30	1							
10	2	177061-02300	COVER	1							
11	2	177010-05670	GASKET, COVER	1							
12	2	145610-83400	RING, SEAL	3							
13	2	22242-000200	RING, 20	1							
14	2	22252-000200	RING, 20	1							
15	2	23414-120000	GASKET, 12X1.0	1							
16	2	23887-120002	PLUG, 12	1							
17	2	24101-060044	BEARING, BALL 6004	1							
18	2	24101-060064	BEARING, BALL 6006	1							
19	2	24321-000750	O-RING, 1AG75.0	1							
20	2	26116-060162	BOLT, M6X 16 PLATED	3							
21	2	26450-060202	BOLT, M6X 20	4							
22	1	26106-100252	BOLT, M10X 25 PLATED	2							
23	1	177560-07790	PIPE ASSY	1							
24	2	177560-07801	PIPE ASSY	1							
25	3	23341-060000	JOINT, PIPE 6-12	2							
26	2	177560-07821	PIPE ASSY	1							
27	3	23341-060000	JOINT, PIPE 6-12	2							
28	2	23297-060081	CLAMP, A6X 8	2							
29	2	23414-120016	GASKET, 12X1.0	8							
30	2	23857-060000	BOLT, JOINT 6	3							
31	2	177068-04360	BOLT	1							

Parts No. Index

Parts No.	Fig. No.	Ref. No.
119000-61051	2	10
119000-61120	2	14
119000-61170	2	15
119000-61470	2	40
119000-61490	2	45
119000-61630	2	85
119173-61650	2	92
119187-61071	2	11
120320-61540	2	63
120323-61430	2	36
120323-61470	2	41
121850-61310	2	25
121850-61320	2	26
121850-61350	2	27
121850-61380	2	29
121850-61390	2	30
121850-61660	2	94
121850-61670	2	96
122710-51080	2	2
122710-51090	2	3
124410-51861	1	80
124616-61580	2	81
126617-51860	1	79
127495-61500	2	47
127495-61550	2	64
127495-61660	2	95
127495-61680	2	98
127495-61700	2	68
127495-61710	2	74
127495-61770	2	103 -1
127495-61780	2	104
127495-61790	2	106
127495-61850	2	109
127675-61680	2	98 -1
127692-51420	1	39 -1
127695-51030	1	4
127695-51100	1	8
127695-51101	1	8 -1
127695-51140	1	11
127695-51141	1	11 -1
127695-51150	1	12
127695-51160	1	13
127695-51301	1	27
127695-51341	1	31
127695-51400	1	38
127695-51410	1	39
127695-51420	1	40
127695-51500	1	48
127695-51800	1	108
127695-54990	1	106

Parts No.	Fig. No.	Ref. No.
127695-61010	2	5
127695-61021	2	7
127695-61040	2	9
127695-61071	2	12
127695-61190	2	16
127695-61200	2	17
127695-61300	2	24 -1
127695-61330	2	25 A
127695-61340	2	25 B
127695-61400	2	31
127695-61430	2	37
127695-61470	2	42
127695-61480	2	44
127695-61490	2	46
127695-61550	2	76
127695-61631	2	91
127695-61700	2	101
127695-61770	2	103
127695-61790	2	107
127695-61840	2	108
127695-61860	2	110
127695-61870	2	111
127695-61901	2	115
127695-61910	2	116
127695-61951	2	118
127695-61961	2	119
128300-61300	2	24
128300-61350	2	28
129100-61930	2	117
129155-61450	2	38
129595-61600	2	82
129595-61610	2	83
129595-61620	2	84
129595-61670	2	97
129595-61680	2	99
129795-61470	2	43
135210-61090	2	13
135410-51530	1	51
135410-51540	1	52
136600-42480	1	2
138613-51660	1	58
144626-51050	1	5
144626-51070	1	7
144626-51171	1	14
144626-51191	1	16
144626-51271	1	24
144626-51281	1	25
144626-51290	1	26
144626-51430	1	41
144626-51451	1	42

Parts No.	Fig. No.	Ref. No.
144626-51521	1	50
144626-51540	1	53
144626-51580	1	54
144626-51590	1	55
144626-51600	1	56
144626-51641	1	57
144626-51660	1	59
144626-51670	1	60
144626-51680	1	61
144626-51700	1	62
		62 -2B
144626-51730	1	75
144626-51800	1	76
144626-51840	1	77
144626-51930	1	83
	2	4
144626-51940	1	84
144626-51950	1	85
144626-51960	1	86
144626-61690	2	100
144626-61700	2	102
144626-61781	2	105
145610-83400	3	12
145647-51880	1	81
148016-51060	1	6
148218-51200	1	17
148218-51250	1	19
148218-51330	1	30
148218-51390	1	37
148616-61650	2	93
148688-51180	1	15
148688-51250	1	23
148688-51510	1	49
148688-51700	1	63
148688-51840	1	99 -1
148688-51850	1	78
171353-61460	2	39
177010-05670	3	11
177061-02300	3	10
177061-04302	3	2
177061-04340	3	4
177061-04361	3	5
177061-04370	3	6
177061-04380	3	7
177061-04391	3	8
177068-04360	3	31
177560-07790	3	23
177560-07801	3	24
177560-07821	3	26
177561-04350	3	1

Parts No.	Fig. No.	Ref. No.
22117-050000	2	120
22117-060000	2	121
22117-080000	2	122
22190-060002	1	62 -1
		62 -2A
22190-080000	2	123
22190-100002	2	157 -1
22190-120002	1	102 -1
	2	158 -1
22190-160002	1	103 -1
	2	159 -1
22190-180002	1	86 -1
22217-060000	1	87
	2	124
22217-080000	2	125
22242-000200	3	13
22252-000200	3	14
22272-000040	2	75
		126
22272-000060	2	127
22272-000080	2	128
22272-000100	2	129
22287-080000	1	88
22312-030250	2	130
22322-030220	2	35
22351-030016	2	131
22351-050010	2	132
22372-060000	2	133
22411-160120	2	134
22417-120120	2	135
22451-060000	1	89
22451-100000	2	136
22453-060000	2	136 -1
22492-060362	2	137
22522-060220	1	90
22621-230030	1	91
23297-060081	3	28
23341-060000	3	25
		27
23414-060000	1	92
23414-120000	3	15
23414-120016	3	29
23857-060000	3	30
23887-100002	2	138
23887-120002	1	93
	3	16
23887-160002	1	94
	2	139
24101-060044	3	17
24101-060064	3	18

Parts No. Index

Parts No.	Fig. No.	Ref. No.
24311-000120	2	140
24316-000210	1	95
24321-000750	3	19
24341-000080	2	141
26106-060122	1	96
	2	142
26106-060162	2	143
26106-060182	2	144
26106-060202	2	145
26106-060252	2	146
26106-060302	2	147
26106-080142	2	148
26106-080202	2	149
26106-100252	3	22
26116-060162	3	20
26116-060356	2	150
26226-060122	1	97
26226-060162	1	97 -1
26376-100002	1	98
26450-060162	1	99
26450-060202	3	21
26450-080202	1	100
26667-080002	2	151
26687-120002	2	152
26716-060002	1	101
	2	153
26756-060002	2	154
26756-080002	2	155
26777-120002	2	156
43400-500440	2	157
43400-500450	1	102
	2	158
43400-500500	1	103
	2	159
727675-51300	1	1
727695-54800	1	105
748688-52700	1	104

Parts No.	Fig. No.	Ref. No.
-----------	----------	----------

Parts No.	Fig. No.	Ref. No.
-----------	----------	----------

Parts No.	Fig. No.	Ref. No.
-----------	----------	----------